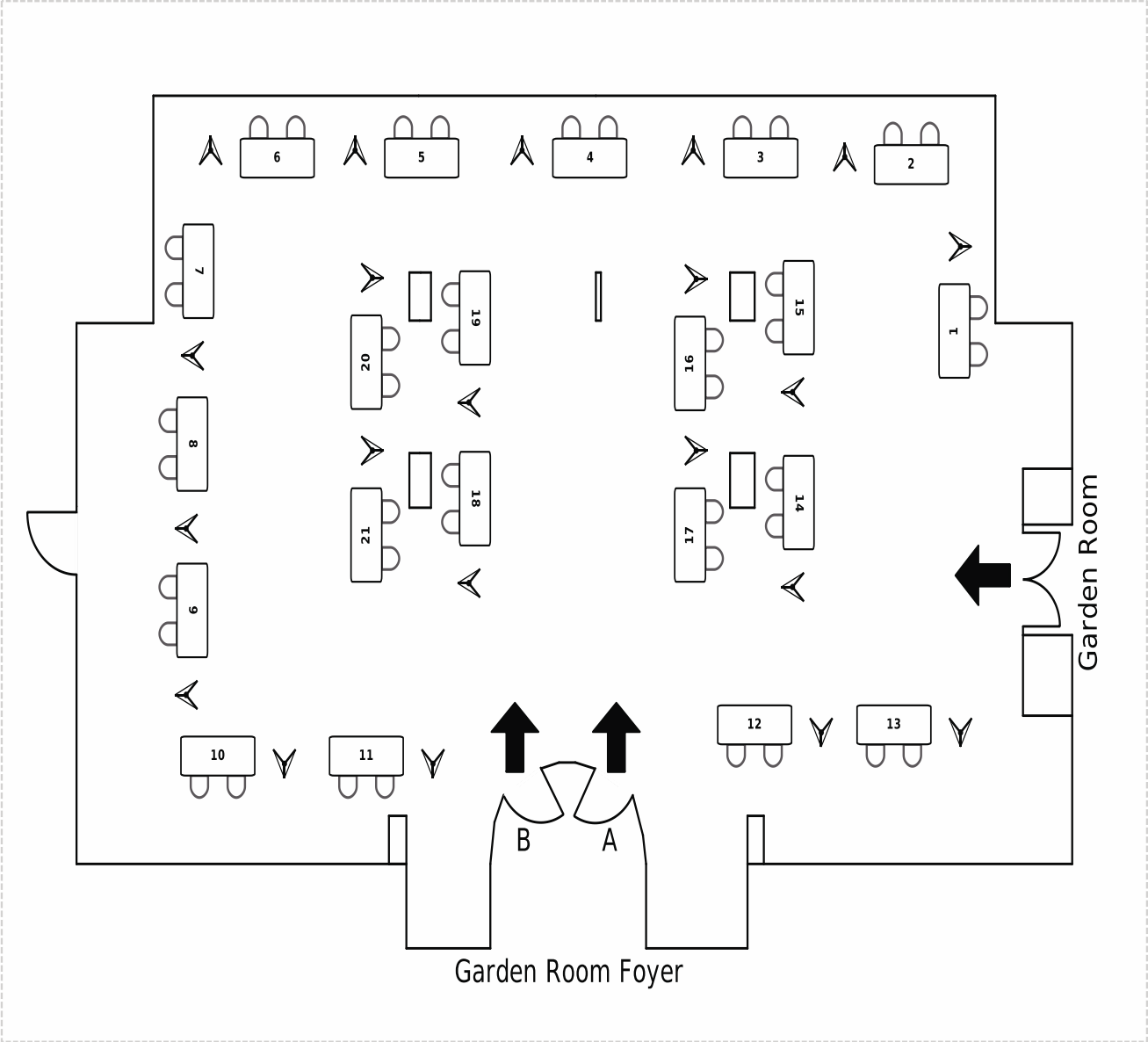


Room Diagram



SIGMOD DEMO SESSION 1

Tuesday, June 28, 3:30 – 5:00

Table Paper Details

- 1 PerNav: A Route Summarization Framework for Personalized Navigation.
- 2 Exploring Privacy-Accuracy Tradeoffs using DPComp.
- 3 Constance: An Intelligent Data Lake System.
- 4 Energy Elasticity on Heterogeneous Hardware using Adaptive Resource Reconfiguration LIVE.
- 5 Web-based Benchmarks for Forecasting Systems - The ECAST Platform.
- 6 REACT: Context-Sensitive Recommendations for Data Analysis.
- 7 QUEPA: QUerying and Exploring a Polystore by Augmentation.
- 8 Making the Case for Query-by-Voice with EchoQuery.
- 9 FERARI: A Prototype for Complex Event Processing over Streaming Multi-cloud Platforms.
- 10 Emma in Action: Declarative Dataflows for Scalable Data Analysis.
- 11 CLAMS: Bringing Quality to Data Lakes.
- 12 The CloudMdsQL Multistore System.
- 13 ReproZip: Computational Reproducibility With Ease.
- 14 PerfEnforce Demonstration: Data Analytics with Performance Guarantees.
- 15 DB-Risk: The Game of Global Database Placement.
- 16 Efficient Query Processing on Many-core Architectures: A Case Study with Intel Xeon Phi Processor.
- 17 What Makes a Good Physical plan? — Experiencing Hardware-Conscious Query Optimization with Candomblé.
- 18 RxSpatial: Reactive Spatial Library for Real-Time Location Tracking and Processing.
- 19 High-Performance Geospatial Analytics in HyPerSpace.
- 20 Wander Join: Online Aggregation for Joins.
- 21 Rheem: Enabling Multi-Platform Task Execution.

SIGMOD DEMO SESSION 2

Wednesday, June 29, 3:30 – 5:00

Table Paper Details

- 1 Ontology-Based Integration of Streaming and Static Relational Data with Optique.
- 2 CoDAR: Revealing the Generalized Procedure & Recommending Algorithms of Community Detection.
- 3 QFix: Demonstrating error diagnosis in query histories.
- 4 Constance: An Intelligent Data Lake System.
- 5 Web-based Benchmarks for Forecasting Systems - The ECAST Platform.
- 6 Energy Elasticity on Heterogeneous Hardware using Adaptive Resource Reconfiguration LIVE.
- 7 CLAMS: Bringing Quality to Data Lakes.
- 8 QUEPA: QUerying and Exploring a Polystore by Augmentation.
- 9 FERARI: A Prototype for Complex Event Processing over Streaming Multi-cloud Platforms.
- 10 BART in Action: Error Generation and Empirical Evaluations of Data-Cleaning Systems.
- 11 Quegel: A General-Purpose System for Querying Big Graphs.
- 13 The CloudMdsQL Multistore System.
- 14 PerfEnforce Demonstration: Data Analytics with Performance Guarantees.
- 15 SourceSight: Enabling Effective Source Selection.
- 16 Interactive Search and Exploration of Waveform Data with Searchlight.
- 17 DB-Risk: The Game of Global Database Placement.
- 18 Wildfire: Concurrent Blazing Data Ingest and Analytics.
- 19 SnappyData: Streaming, Transactions, and Interactive Analytics in a Single Cluster.
- 20 ActiveClean: Interactive Data Cleaning For Modern Machine Learning.
- 21 Rheem: Enabling Multi-Platform Task Execution.

SIGMOD DEMO SESSION 3

Thursday, June 30, 3:30 – 5:00

Table Paper Details

- 1 PerNav: A Route Summarization Framework for Personalized Navigation.
- 2 Ontology-Based Integration of Streaming and Static Relational Data with Optique.
- 3 CoDAR: Revealing the Generalized Procedure & Recommending Algorithms of Community Detection.
- 4 Exploring Privacy-Accuracy Tradeoffs using DPComp.
- 5 QFix: Demonstrating error diagnosis in query histories.
- 6 REACT: Context-Sensitive Recommendations for Data Analysis.
- 7 Making the Case for Query-by-Voice with EchoQuery.
- 8 Emma in Action: Declarative Dataflows for Scalable Data Analysis
- 9 BART in Action: Error Generation and Empirical Evaluations of Data-Cleaning Systems.
- 10 Quegel: A General-Purpose System for Querying Big Graphs.
- 11 ReproZip: Computational Reproducibility With Ease.
- 12 SourceSight: Enabling Effective Source Selection.
- 13 Interactive Search and Exploration of Waveform Data with Searchlight.
- 14 Wildfire: Concurrent Blazing Data Ingest and Analytics.
- 15 Efficient Query Processing on Many-core Architectures: A Case Study with Intel Xeon Phi Processor.
- 16 SnappyData: Streaming, Transactions, and Interactive Analytics in a Single Cluster.
- 17 ActiveClean: Interactive Data Cleaning For Modern Machine Learning.
- 18 What Makes a Good Physical plan? — Experiencing Hardware-Conscious Query Optimization with Candomblé
- 19 RxSpatial: Reactive Spatial Library for Real-Time Location Tracking and Processing.
- 20 High-Performance Geospatial Analytics in HyPerSpace.
- 21 Wander Join: Online Aggregation for Joins